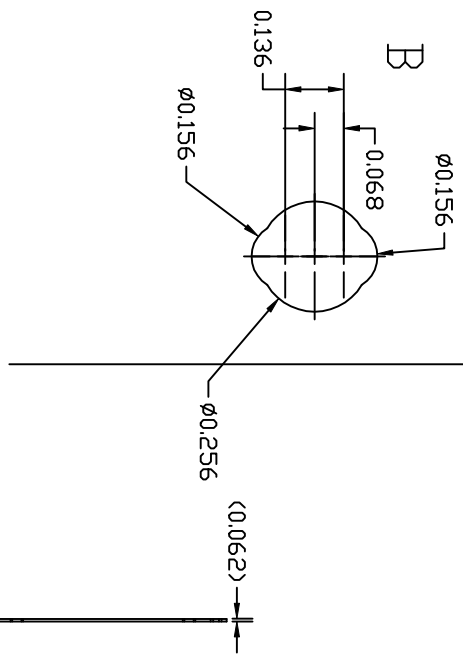
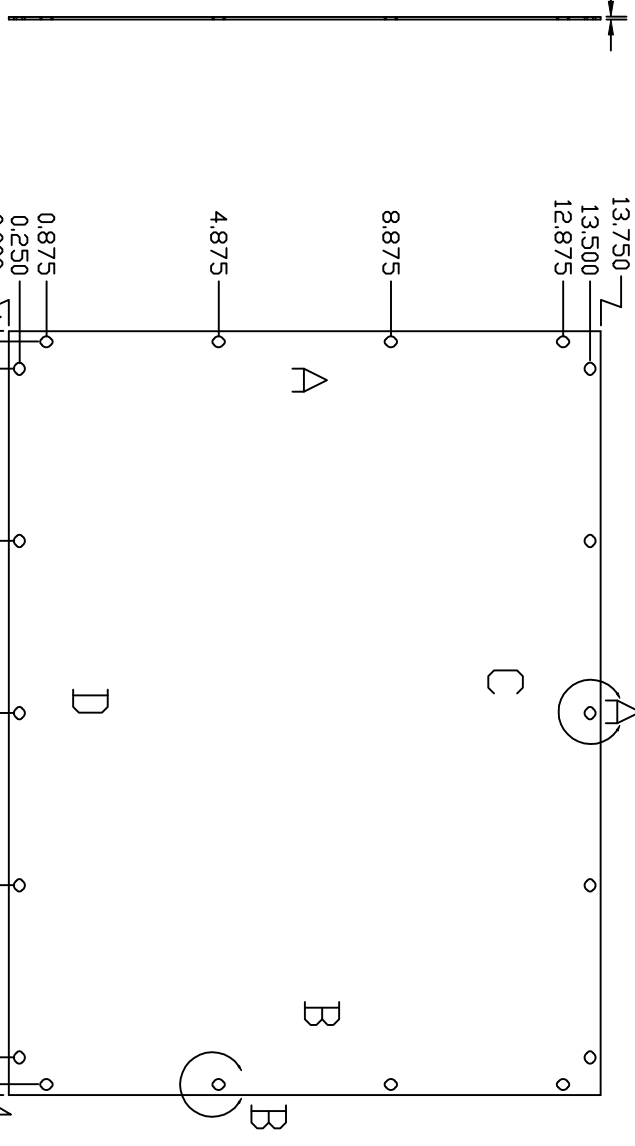
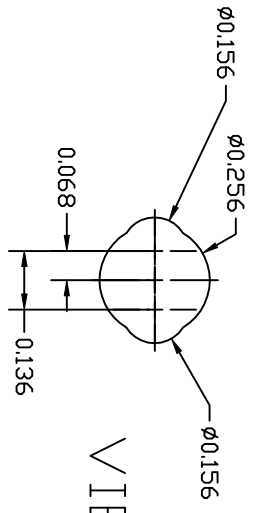


VIEW B



VIEW A



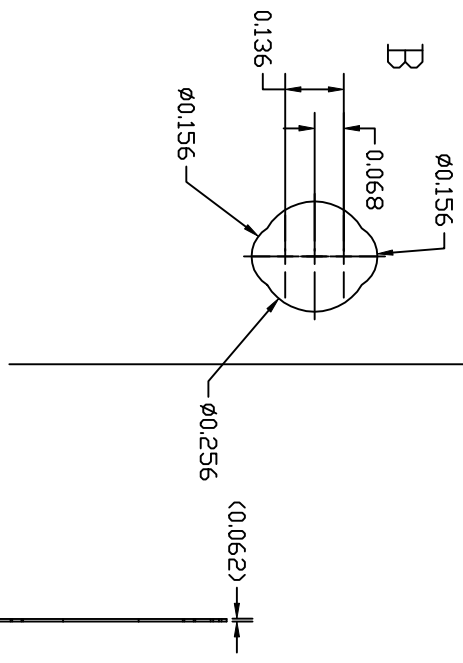
REV.	DESCRIPTION	DATE

1. THE ORIENTATION OF SIDES "A" AND "B" ARE SHOWN IN VIEW B. ORIENTATION OF SIDES "C" AND "D" ARE SHOWN IN VIEW A.

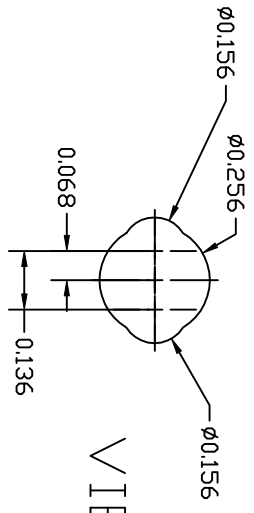
NOTES:
(UNLESS SPECIFIED)

UNLESS OTHERWISE SPECIFIED DIMENSIONS ARE IN INCHES TOLERANCES ARE: X=±.03 ANGLES=0° 30" XX=±.01 XXX=±.005		TITLE	SIGNATURE	DATE	TEST CONNECTIONS INC. UPLAND, CA
FINISH:		DR.	MIKE CURTIS	5/30/02	
MATERIAL:		CHK.			
LEXAN		APP.			
SIZE	DWG NO.	TITLE		REV	
A	4.0 EC 14X18 IP S2-5	4.0 EC 14X18 IP S2-5			
SCALE	NONE	SHEET	2 OF 5		

VIEW B



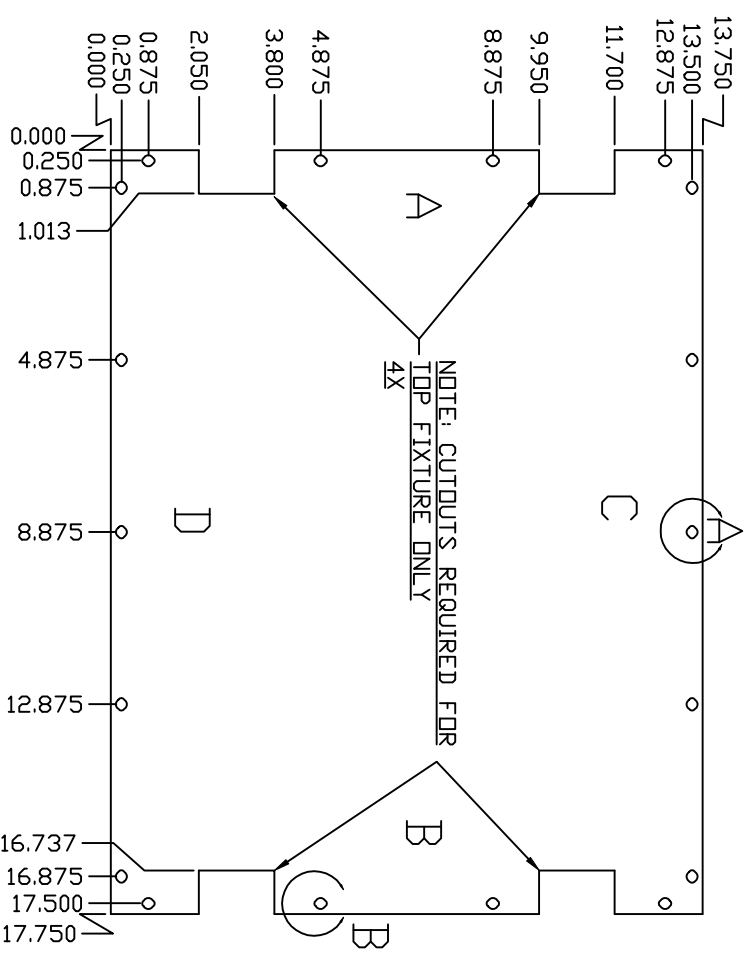
VIEW A



1. THE ORIENTATION OF SIDES "A" AND "B" ARE SHOWN IN VIEW B. ORIENTATION OF SIDES "C" AND "D" ARE SHOWN IN VIEW A.

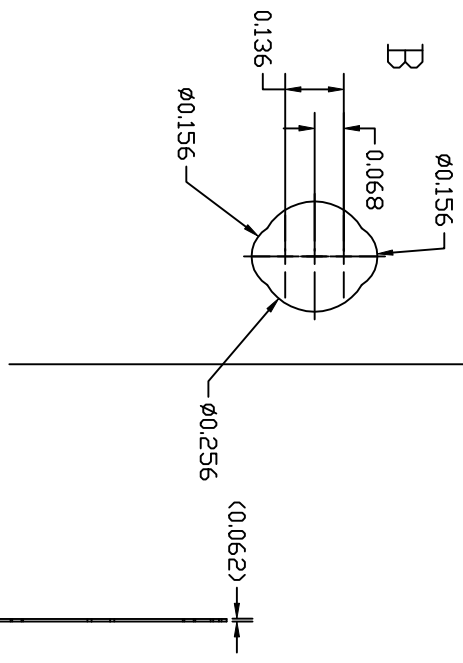
NOTES:
(UNLESS SPECIFIED)

REV.	DESCRIPTION	DATE

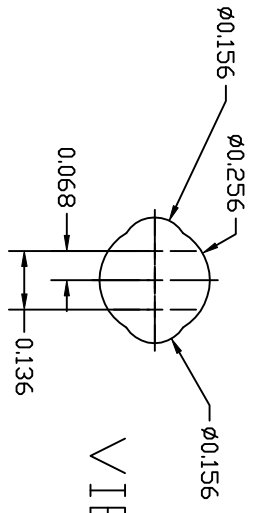


UNLESS OTHERWISE SPECIFIED DIMENSIONS ARE IN INCHES TOLERANCES ARE: X=±.03 ANGLES=0° 30" XX=±.01 XXX=±.005	TITLE	SIGNATURE	DATE	TEST CONNECTIONS INC. UPLAND, CA
	DR.	MIKE CURTIS	05/30/02	
	CHK.			
FINISH:	MATERIAL:	APP.		TITLE
	LEXAN			4.0 EC 14X18 INNER PLATE S6
				SIZE
				DWG NO.
				4.0 EC 14X18 IP S6
				SCALE
				NONE
				SHEET
				3 OF 5
				REV

VIEW B



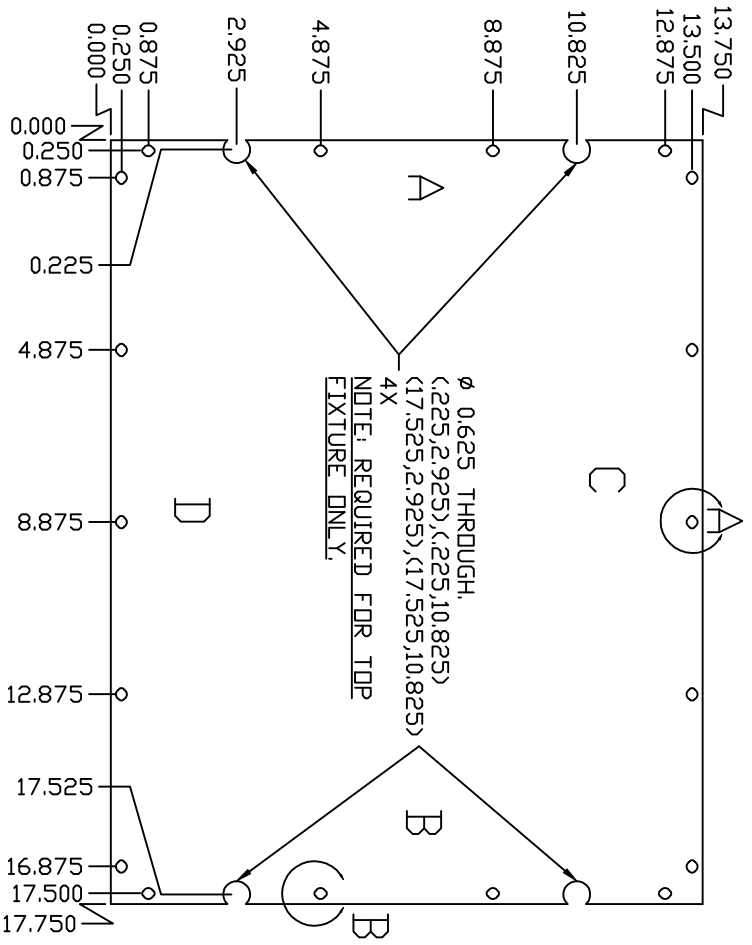
VIEW A



1. THE ORIENTATION OF SIDES "A" AND "B" ARE SHOWN IN VIEW B. ORIENTATION OF SIDES "C" AND "D" ARE SHOWN IN VIEW A.

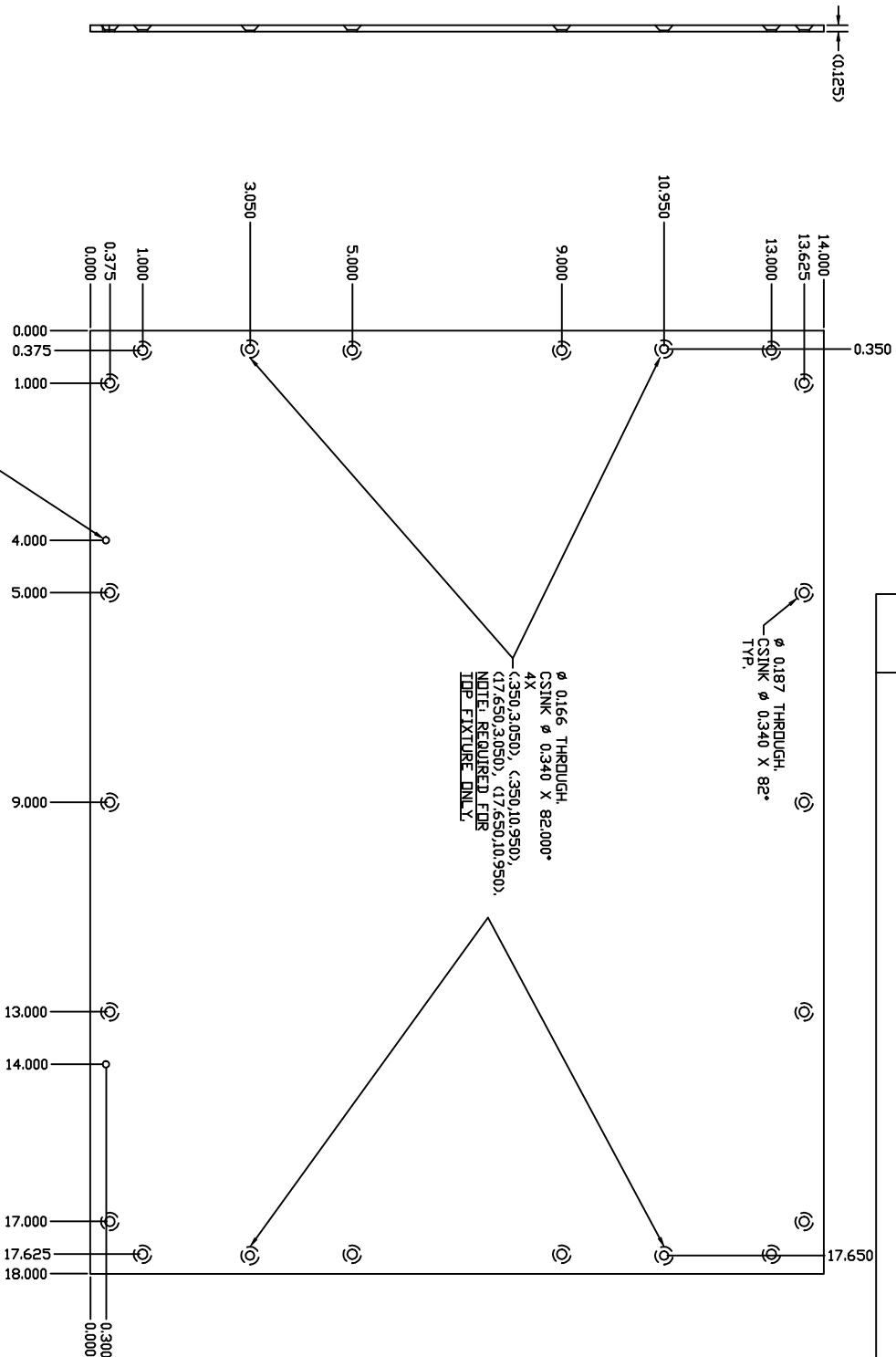
NOTES:
(UNLESS SPECIFIED)

REV.	DESCRIPTION	DATE



UNLESS OTHERWISE SPECIFIED DIMENSIONS ARE IN INCHES TOLERANCES ARE: X=±.03 ANGLES=0° 30" XX=±.01 XXX=±.005		TITLE	SIGNATURE	DATE
FINISH:		DR.	MIKE CURTIS	05/30/02
MATERIAL:		CHK.		
		APP.		
TEST CONNECTIONS INC. UPLAND, CA				
TITLE 4.0 EC 14X18 INNER PLATE S7				
SIZE	DWG NO.			REV
A	4.0 EC 14X18 IP S7			
SCALE	NONE	SHEET	4 OF 5	

REV.	DESCRIPTION	DATE



Ø 0.166 THROUGH,
CSINK Ø 0.340 X 82.000°
4X
(.350,3.050), (.350,10.950),
(17.650,3.050), (17.650,10.950).
NOTE: REQUIRED FOR
TOP FIXTURE ONLY.

Ø 0.187 THROUGH,
CSINK Ø 0.340 X 82°
TYP.

Ø 0.126 THROUGH,
REGISTRATION HOLES 2X
(4.000,.300), (14.000,.300)

UNLESS OTHERWISE SPECIFIED DIMENSIONS ARE IN INCHES TOLERANCES ARE: X=±.03 ANGLES=0° 30". XX=±.01 XXX=±.005		TITLE SIGNATURE DR. MIKE CURTIS		DATE 5/30/02
FINISH:		APP.		MATERIAL:
TEST CONNECTIONS INC. UPLAND, CA		LEXAN		
4.0 EC 14X18 GRID PLATE S8		SIZE A	DWG NO. 4.0 EC 14X18 GRID S8	REV
SCALE NONE		SHEET 5 OF 5		

NOTES:
(UNLESS SPECIFIED)