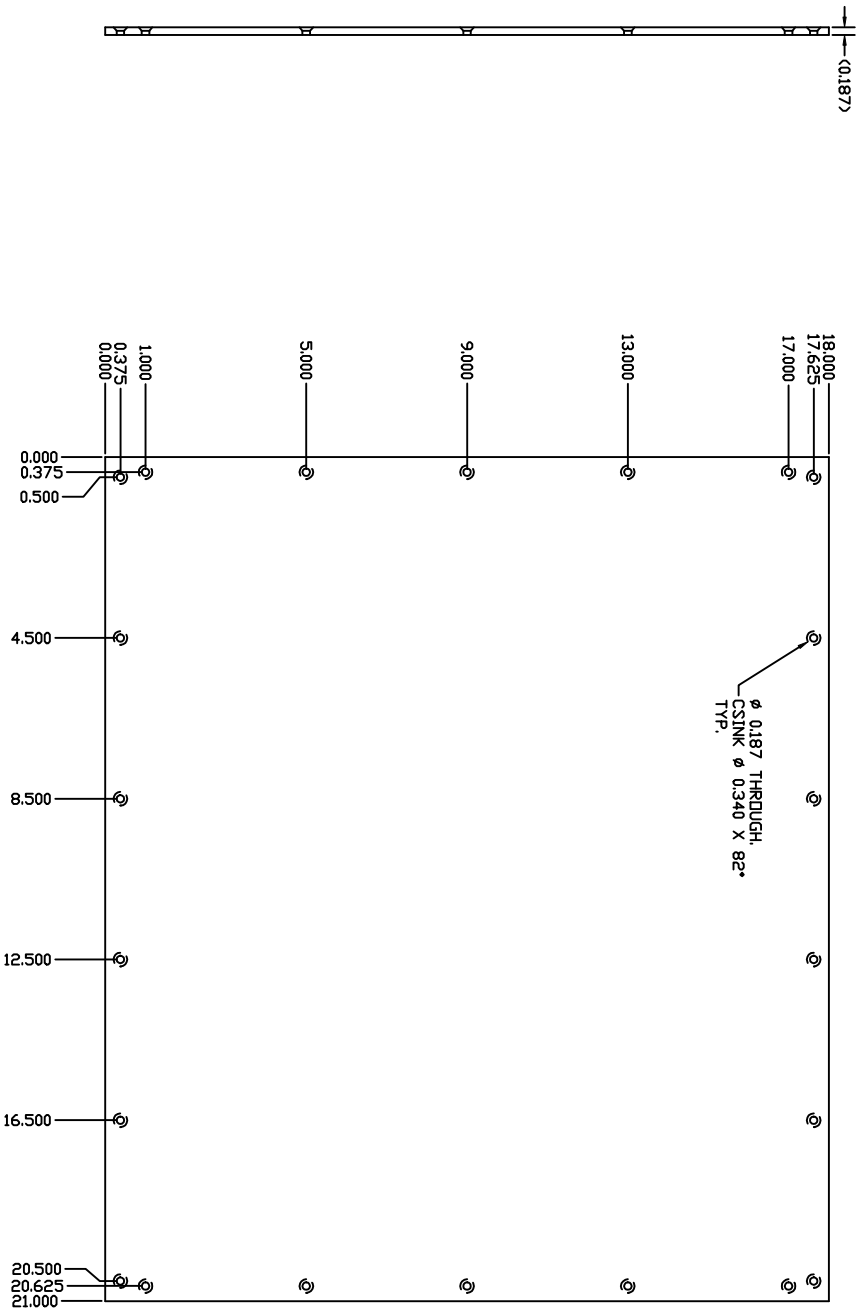


REV.	DESCRIPTION	DATE



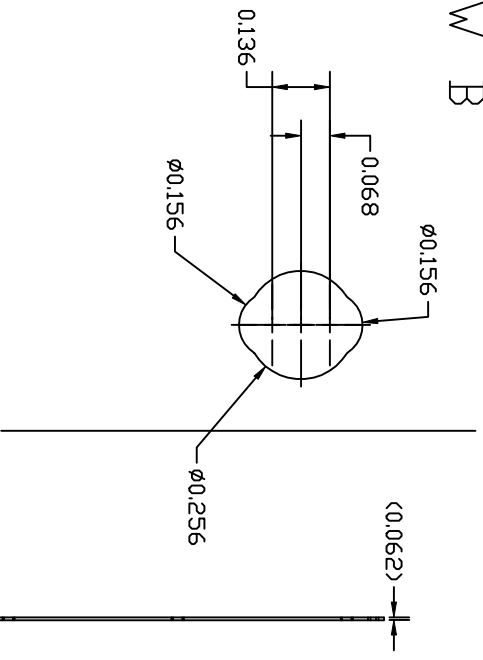
UNLESS OTHERWISE SPECIFIED DIMENSIONS ARE IN INCHES TOLERANCES ARE: X=±.03 ANGLES=0° 30" XX=±.01 XXX=±.005		TITLE	SIGNATURE	DATE
FINISH:		DR.	MIKE CURTIS	5/30/02
MATERIAL:		CHK.		
		APP.		
		TITLE		
		4.0 EC 18X21 BOARD PLATE S1		

NOTES:
(UNLESS SPECIFIED)

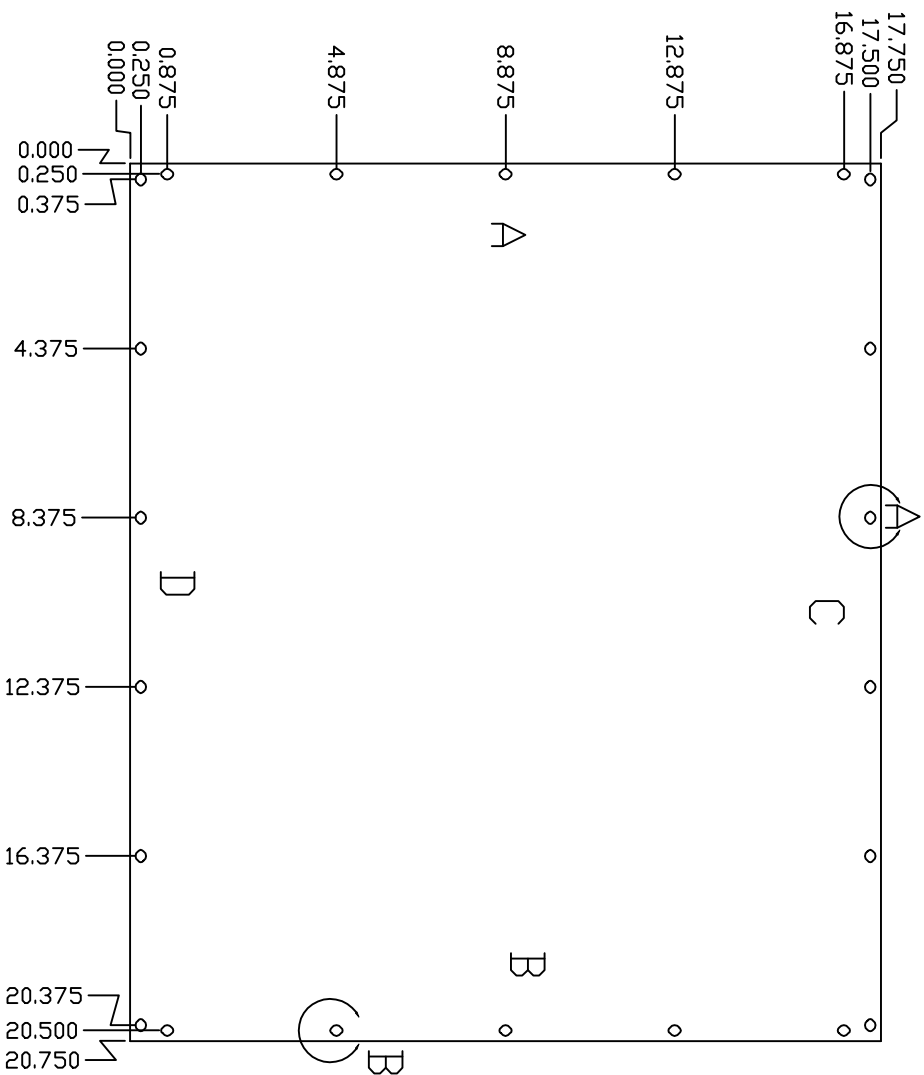
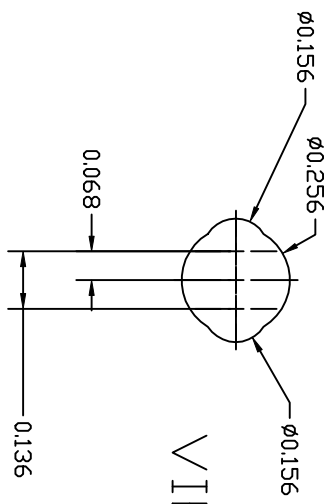
SIZE	DWG NO.	REV
A	4.0 EC 18X21 BOARD S1	
SCALE	NONE	SHEET
		1 OF 5

TEST CONNECTIONS INC.
UPLAND, CA

VIEW B



VIEW A



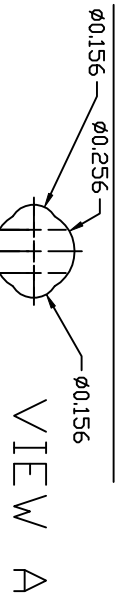
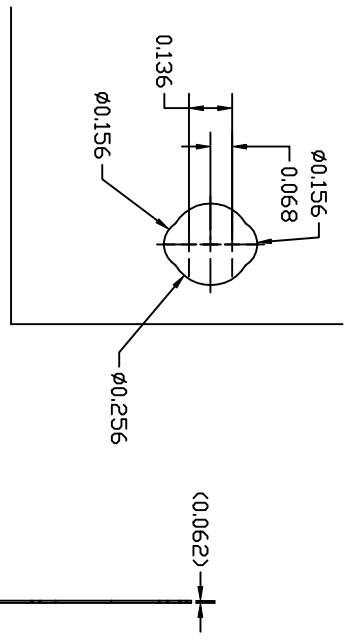
REV.	DESCRIPTION	DATE

1. THE ORIENTATION OF SIDES "A" AND "B" ARE SHOWN IN VIEW B. ORIENTATION OF SIDES "C" AND "D" ARE SHOWN IN VIEW A.

NOTES:
(UNLESS SPECIFIED)

UNLESS OTHERWISE SPECIFIED DIMENSIONS ARE IN INCHES TOLERANCES ARE: X=±.03 ANGLES=0°-30° .XX=±.01 .XXX=±.005 FINISH:		TITLE	SIGNATURE	DATE	TEST CONNECTIONS INC. UPLAND, CA
DR. MIKE CURTIS		CHK:		5/30/02	
MATERIAL:		APP.			
LEXAN					
SIZE	DWG NO.	TITLE		REV	
A	4.0 EC 18X21 IP S2-5	4.0 EC 18X21 IP S2-5			
SCALE	NONE	SHEET			
					2 OF 5

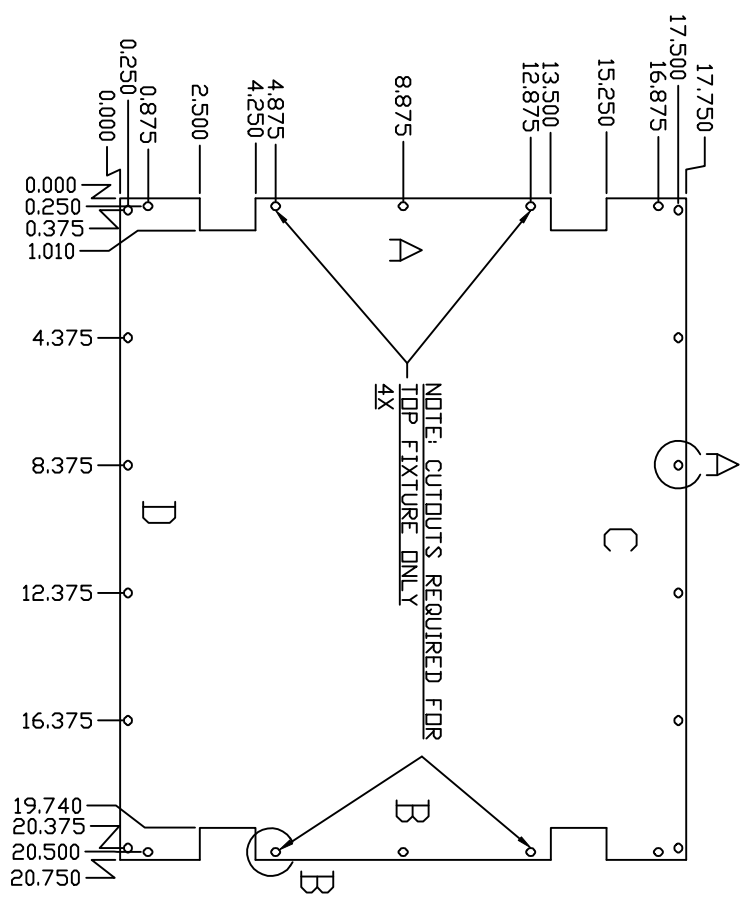
VIEW B



1. THE ORIENTATION OF SIDES "A" AND "B" ARE SHOWN IN VIEW B. ORIENTATION OF SIDES "C" AND "D" ARE SHOWN IN VIEW A.

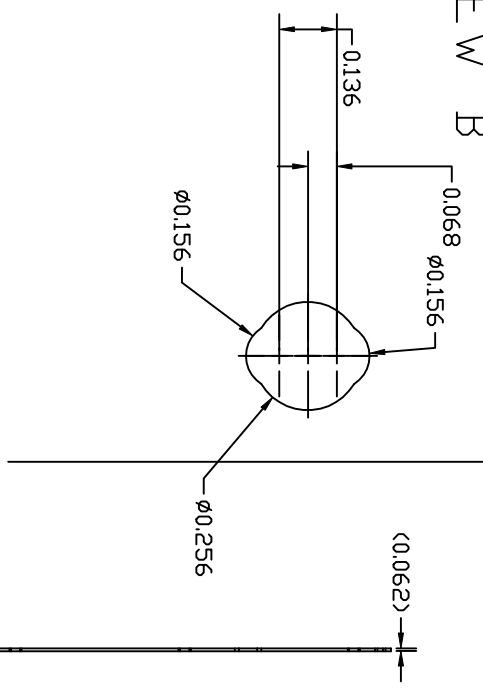
NOTES:
(UNLESS SPECIFIED)

REV.	DESCRIPTION	DATE

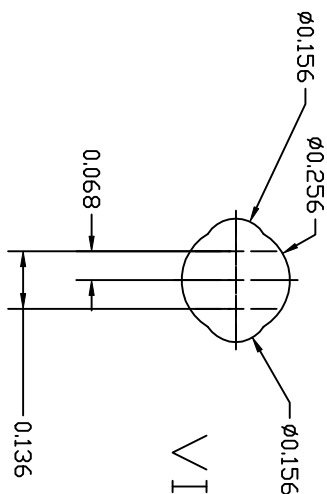


UNLESS OTHERWISE SPECIFIED DIMENSIONS ARE IN INCHES TOLERANCES ARE: X=±.05 ANGLES=0° 30" XX=±.01 .XXX=±.005		TITLE SIGNATURE DR. MIKE CURTIS	DATE 5/30/02	TEST CONNECTIONS INC. UPLAND, CA	
FINISH:		CHK:		TITLE 4.0 EC 18X21 IP S6	
MATERIAL:		APP.		SIZE A	DWG NO. 4.0 EC 18X21 IP S6
LEXAN				SCALE NONE	SHEET 3 OF 5
					REV

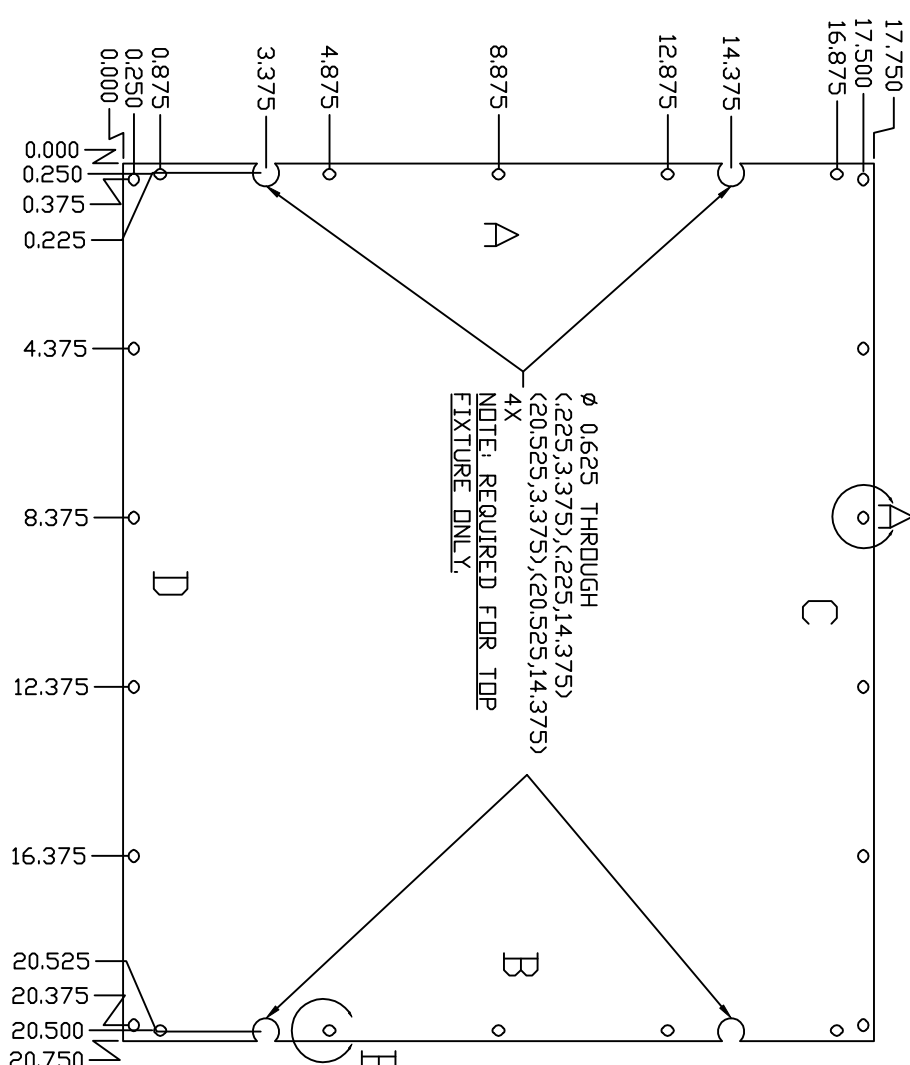
VIEW B



VIEW A



REV.	DESCRIPTION	DATE

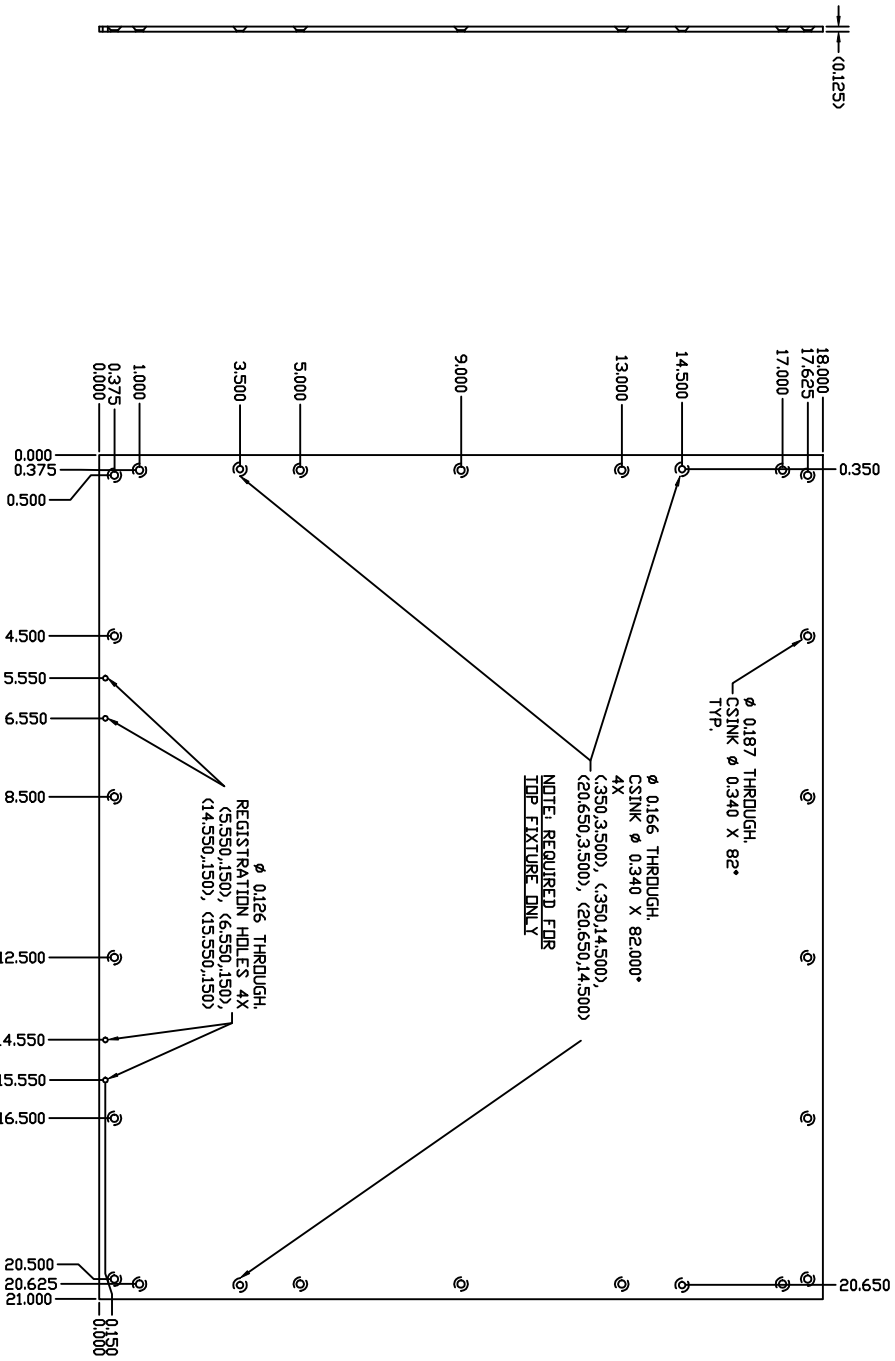


1. THE ORIENTATION OF SIDES "A" AND "B" ARE SHOWN IN VIEW B. ORIENTATION OF SIDES "C" AND "D" ARE SHOWN IN VIEW A.

NOTES:
(UNLESS SPECIFIED)

UNLESS OTHERWISE SPECIFIED DIMENSIONS ARE IN INCHES TOLERANCES ARE: X=±.03 ANGLES=0°-30° .XX=±.01 .XXX=±.005		TITLE	SIGNATURE	DATE	TEST CONNECTIONS INC. UPLAND, CA
FINISH:		DR.	MIKE CURTIS	5/30/02	
MATERIAL:		CHK:			
APP:					
LEXAN					
SIZE	DWG NO.	TITLE		REV	
A	4.0 EC 18X21 IP S7	4.0 EC 18X21 IP S7			
SCALE	NONE	SHEET		4 OF 5	

REV.	DESCRIPTION	DATE



UNLESS OTHERWISE SPECIFIED DIMENSIONS ARE IN INCHES TOLERANCES ARE: X=±.03 ANGLES=0° 30" XX=±.01 XXX=±.005		TITLE	SIGNATURE	DATE
FINISH:		DR.	MIKE CURTIS	5/30/02
MATERIAL:		CHK.		
		APP.		
		TITLE	TEST CONNECTIONS INC. UPLAND, CA	
		4.0 EC 18X21 GRID PLATE S8		

NOTES:
(UNLESS SPECIFIED)

SIZE	DWG NO.	REV
A	4.0 EC 18X21 GRID S8	
SCALE	NONE	SHEET
		5 OF 5