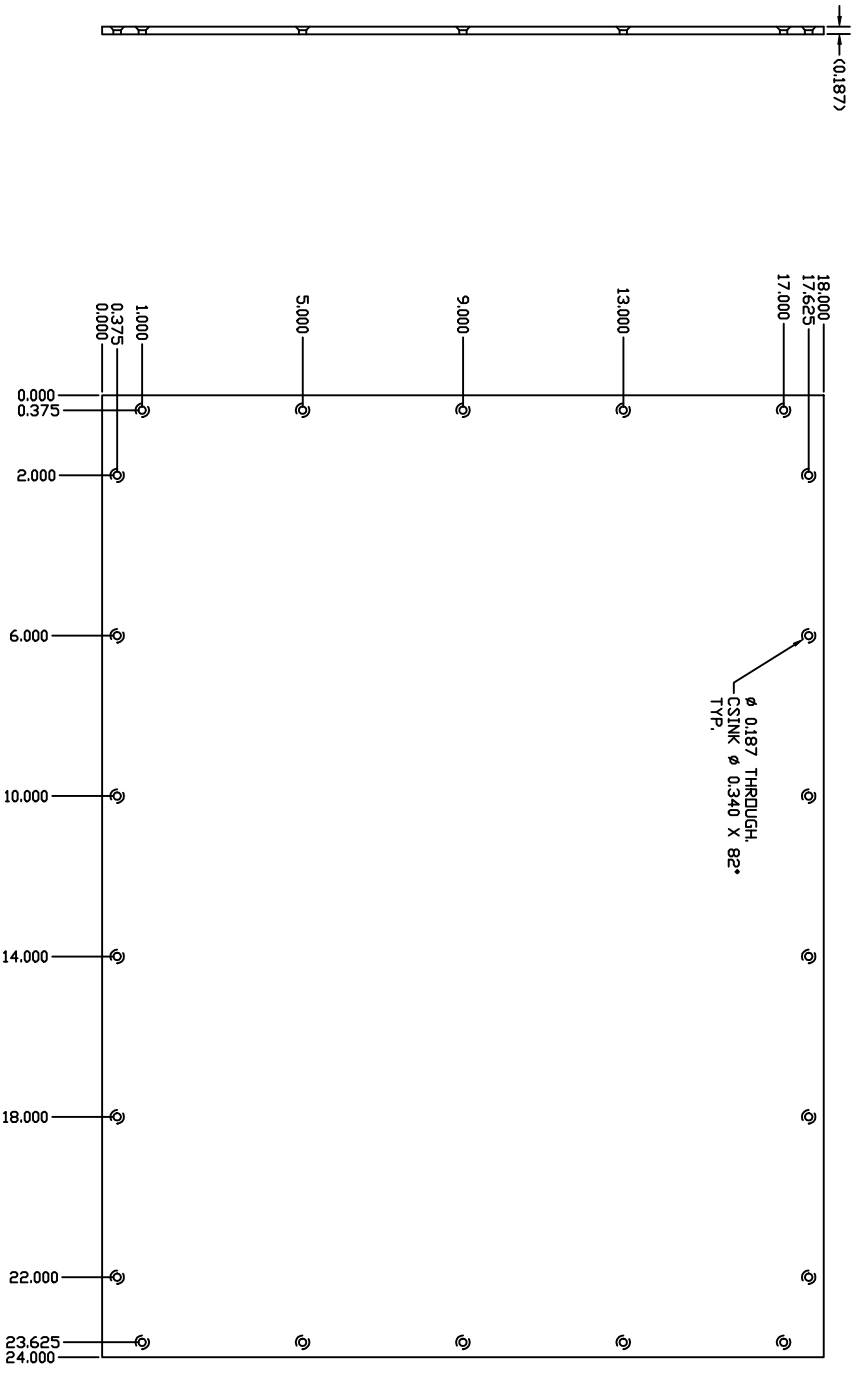


REV.	DESCRIPTION	DATE



UNLESS OTHERWISE SPECIFIED  
DIMENSIONS ARE IN INCHES  
TOLERANCES ARE:  
-X=±.03 ANGLES=0° 30°  
.XX=±.01  
.XXX=±.005

FINISH:

TITLE TEST CONNECTIONS INC.  
UPLAND, CA

TITLE 4.0 CL/TTI 18X24 BOARD P.L.T. S1

TITLE DR. MIKE CURTIS  
CHK. DATE 5/30/02

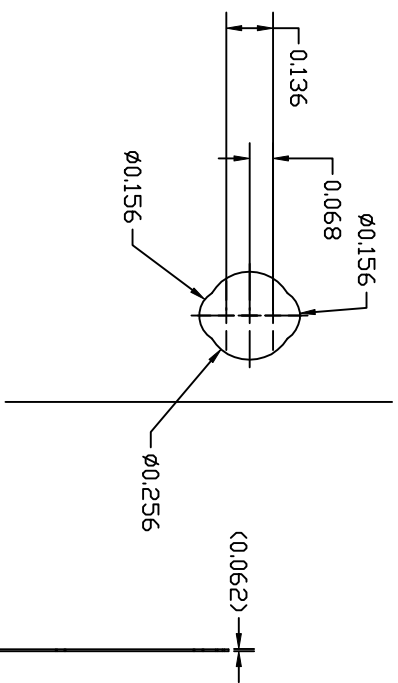
APP. MATERIAL: LEXAN

SIZE DWG NO. REV  
A 4.0 CLTTI 18X24 BOARD S1

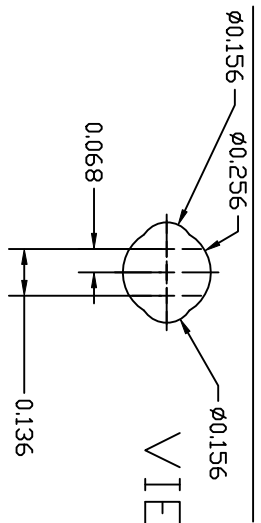
SCALE NONE SHEET 1 OF 4

NOTES:  
(UNLESS SPECIFIED)

# VIEW B



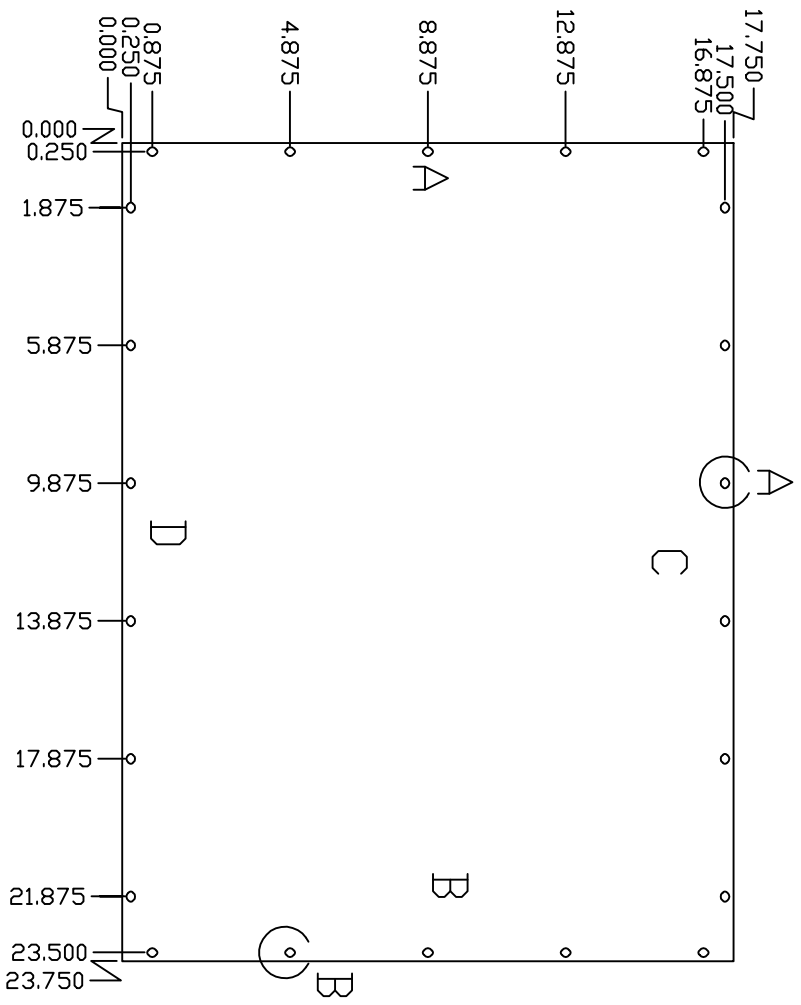
# VIEW A



1. THE ORIENTATION OF SIDES "A" AND "B" ARE SHOWN IN VIEW B. ORIENTATION OF SIDES "C" AND "D" ARE SHOWN IN VIEW A.

**NOTES:**  
(UNLESS SPECIFIED)

REV.	DESCRIPTION	DATE



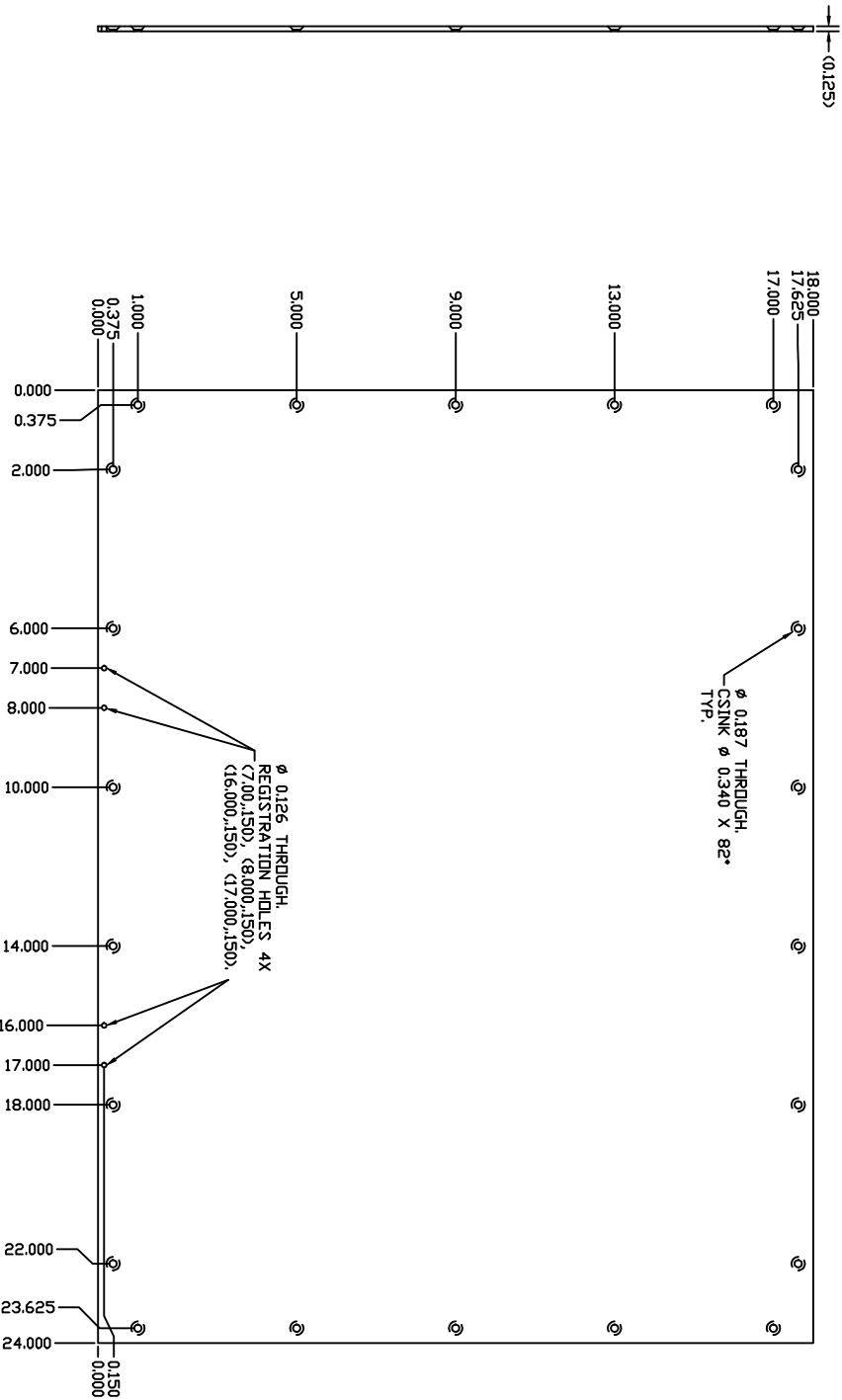
UNLESS OTHERWISE SPECIFIED  
DIMENSIONS ARE IN INCHES  
TOLERANCES ARE:  
X=±.03 ANGLES=0° 30"  
XX=±.01  
XXX=±.005

TITLE SIGNATURE DATE  
DR. MIKE CURTIS 5/30/02  
CHK.  
APP.  
MATERIAL:

TITLE TEST CONNECTIONS INC.  
UPLAND, CA  
4.0 CL/TTI 18X24 IP S2-7

LEXAN  
SIZE DWG NO. REV  
A 4.0 CLTTI 18X24 IP S2-7  
SCALE NONE SHEET 2 OF 4

REV.	DESCRIPTION	DATE



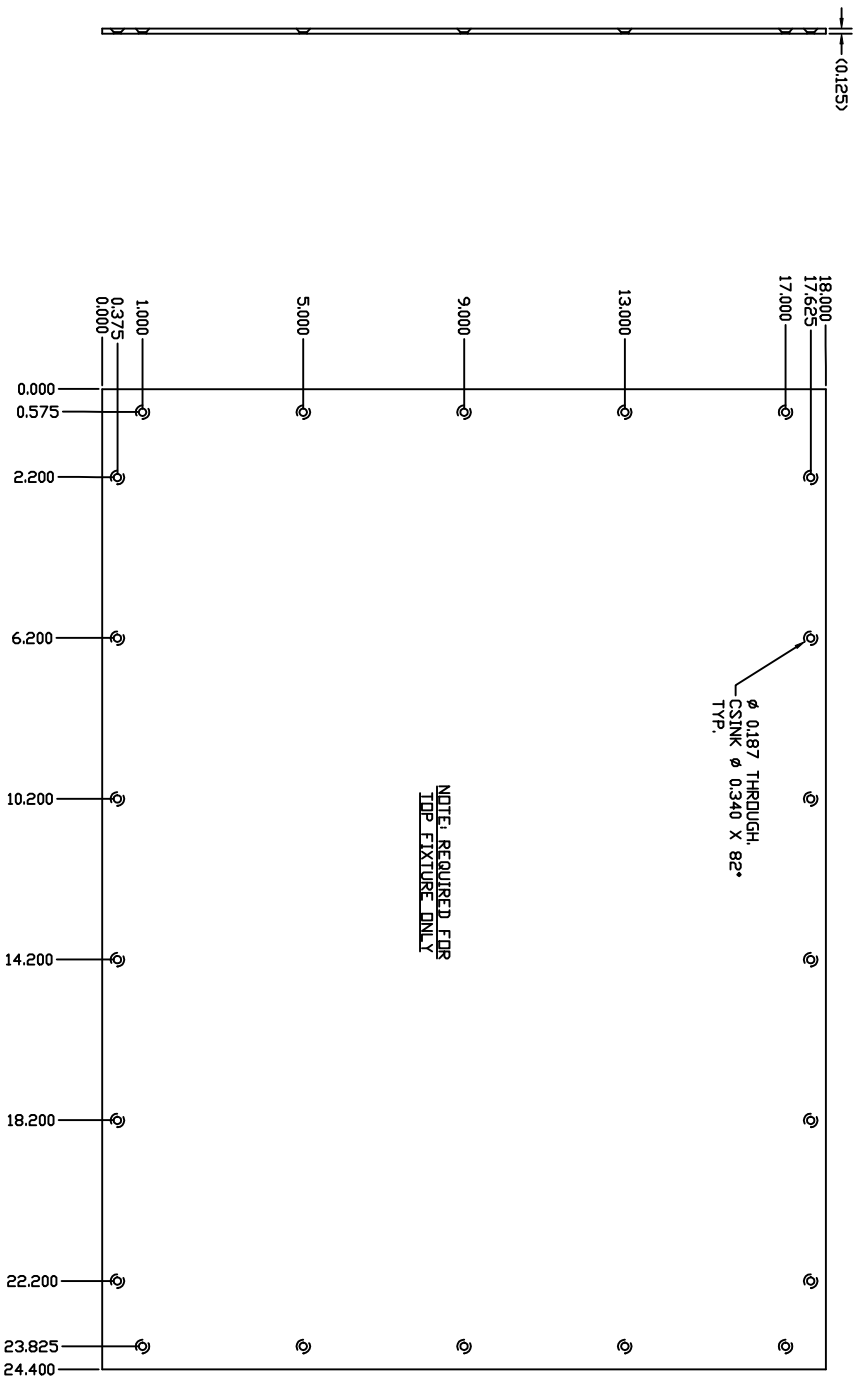
UNLESS OTHERWISE SPECIFIED DIMENSIONS ARE IN INCHES TOLERANCES ARE: X=±.03 ANGLES=0° 30" XX=±.01 XXX=±.005		TITLE SIGNATURE DATE		TEST CONNECTIONS INC. UPLAND, CA
FINISH:		DR. MIKE CURTIS	5/30/02	
MATERIAL:		CHK.		
		APP.		
		TITLE		4.0 CL/TTI 18X24 LOWER GRID

SIZE	DWG. NO.	REV
A	4.0 CLTTI 18X24 LOWER GRID	

NOTES:  
(UNLESS SPECIFIED)

SCALE	NONE	SHEET	3 OF 4
-------	------	-------	--------

REV.	DESCRIPTION	DATE



NOTE: REQUIRED FOR TOP FIXTURE ONLY

UNLESS OTHERWISE SPECIFIED DIMENSIONS ARE IN INCHES TOLERANCES ARE: X=±.03 ANGLES=0° 30" XX=±.01 XXX=±.005 FINISH:	TITLE	SIGNATURE	DATE
	DR.	MIKE CURTIS	5/30/02
	CHK.		
MATERIAL:	APP.		
TITLE TEST CONNECTIONS INC. UPLAND, CA 4.0 CL/TI 18X24 UPPER GRID S8			

NOTES:  
(UNLESS SPECIFIED)

SIZE	DWG NO.	REV
A	4.0 CLTTI 18X24 TOP GRID S8	
SCALE	NONE	SHEET 4 OF 4