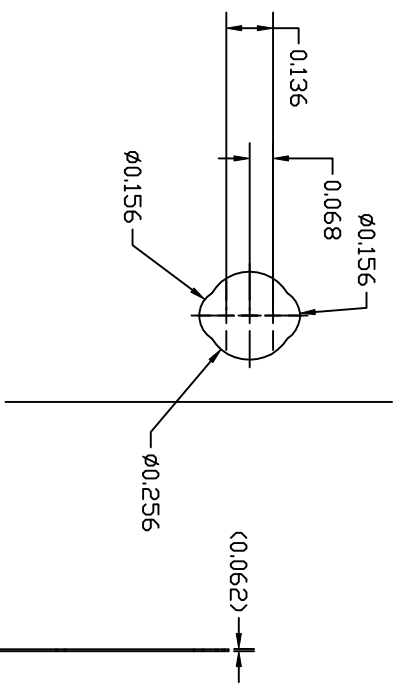
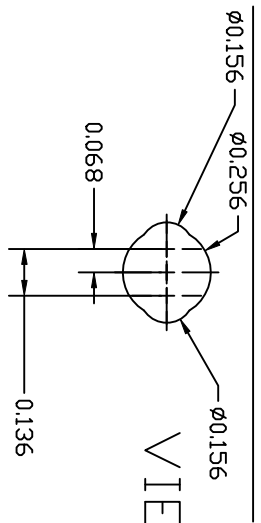


VIEW B



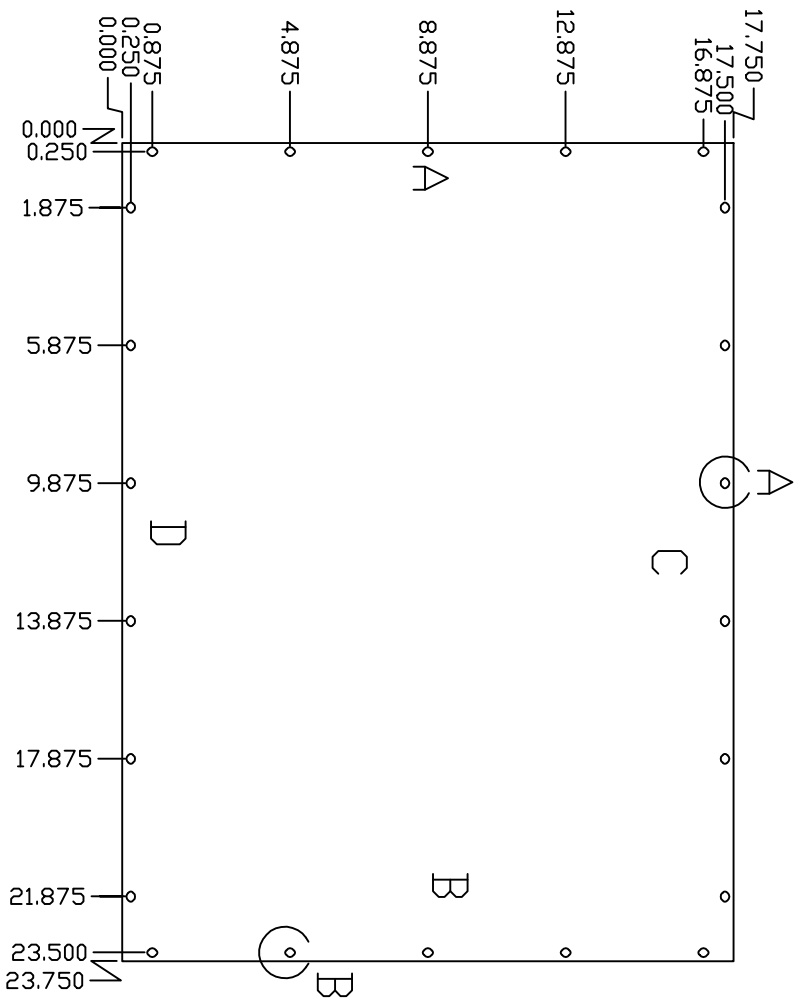
VIEW A



1. THE ORIENTATION OF SIDES "A" AND "B" ARE SHOWN IN VIEW B. ORIENTATION OF SIDES "C" AND "D" ARE SHOWN IN VIEW A.

NOTES:
(UNLESS SPECIFIED)

REV.	DESCRIPTION	DATE



UNLESS OTHERWISE SPECIFIED
DIMENSIONS ARE IN INCHES
TOLERANCES ARE:
X=±.03 ANGLES=0° 30"
XX=±.01
XXX=±.005
FINISH:

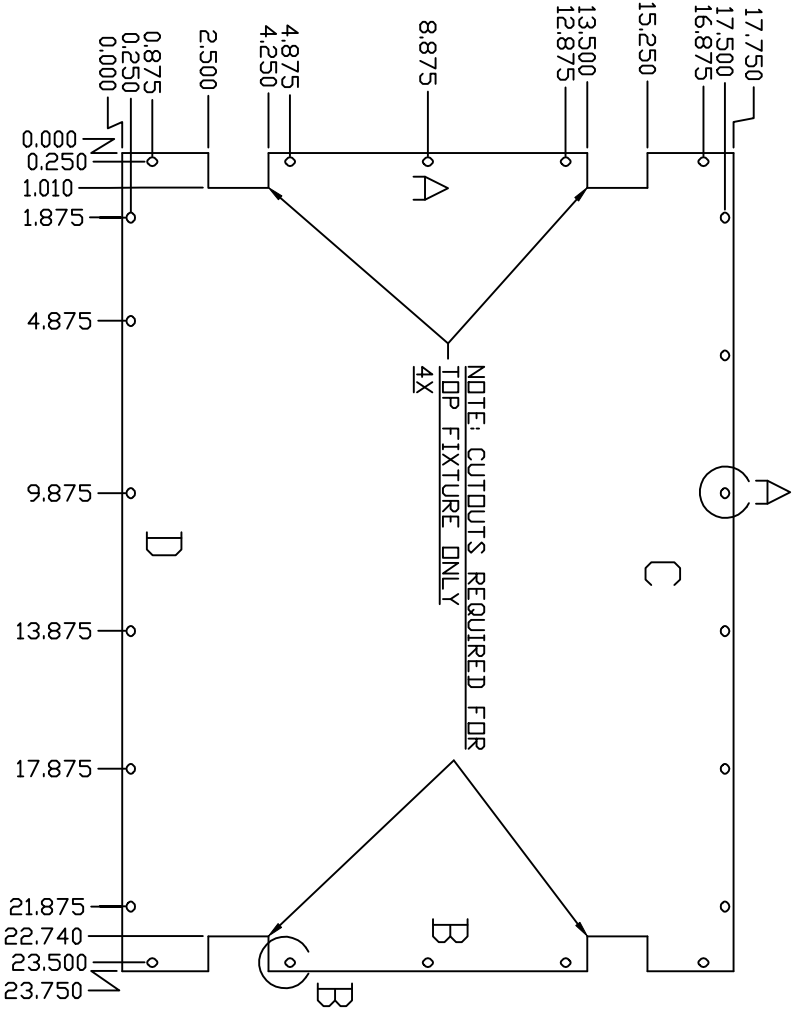
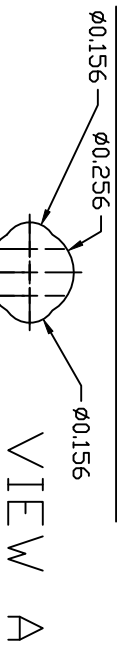
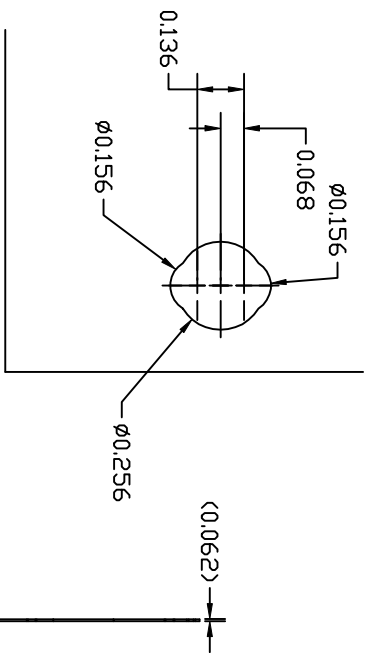
TITLE	SIGNATURE	DATE
DR.	MIKE CURTIS	5/30/02
CHK.		
APP.		

TITLE: TEST CONNECTIONS INC.
UPLAND, CA

4.0 EC 18X24 IP S2-5

SIZE	DWG NO.	REV
A	4.0 EC 18X24 IP S2-5	
SCALE	NONE	SHEET
		2 OF 5

VIEW B



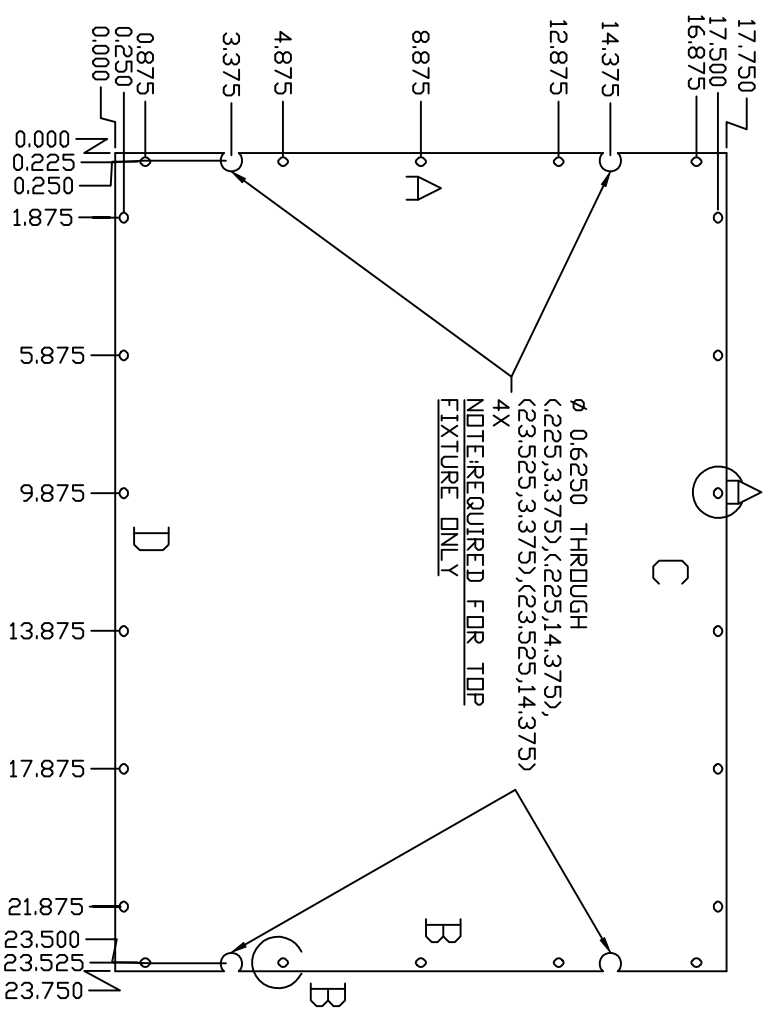
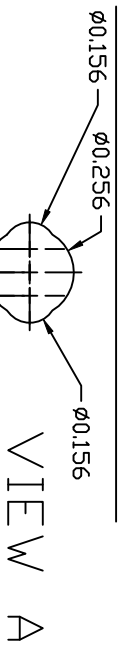
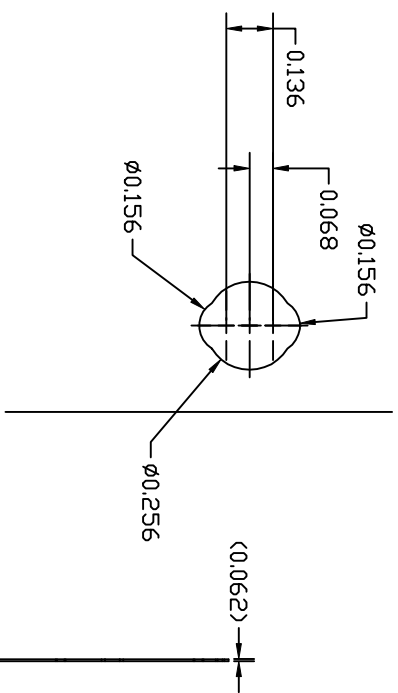
1. THE ORIENTATION OF SIDES "A" AND "B" ARE SHOWN IN VIEW B. ORIENTATION OF SIDES "C" AND "D" ARE SHOWN IN VIEW A.

NOTES:
(UNLESS SPECIFIED)

REV.	DESCRIPTION	DATE

UNLESS OTHERWISE SPECIFIED DIMENSIONS ARE IN INCHES TOLERANCES ARE: X=±.03 ANGLES=0° 30'. XX=±.01 XXX=±.005		TITLE DR. MIKE CURTIS	DATE 5/30/02	TEST CONNECTIONS INC. UPLAND, CA	
FINISH:		CHK.		TITLE 4.0 EC 18X24 INNER PLATE S6	
MATERIAL:		APP.		SIZE A	DWG NO. 4.0 EC 18X24 IP S6
LEXAN				SCALE NONE	REV
				SHEET 3 OF 5	

VIEW B



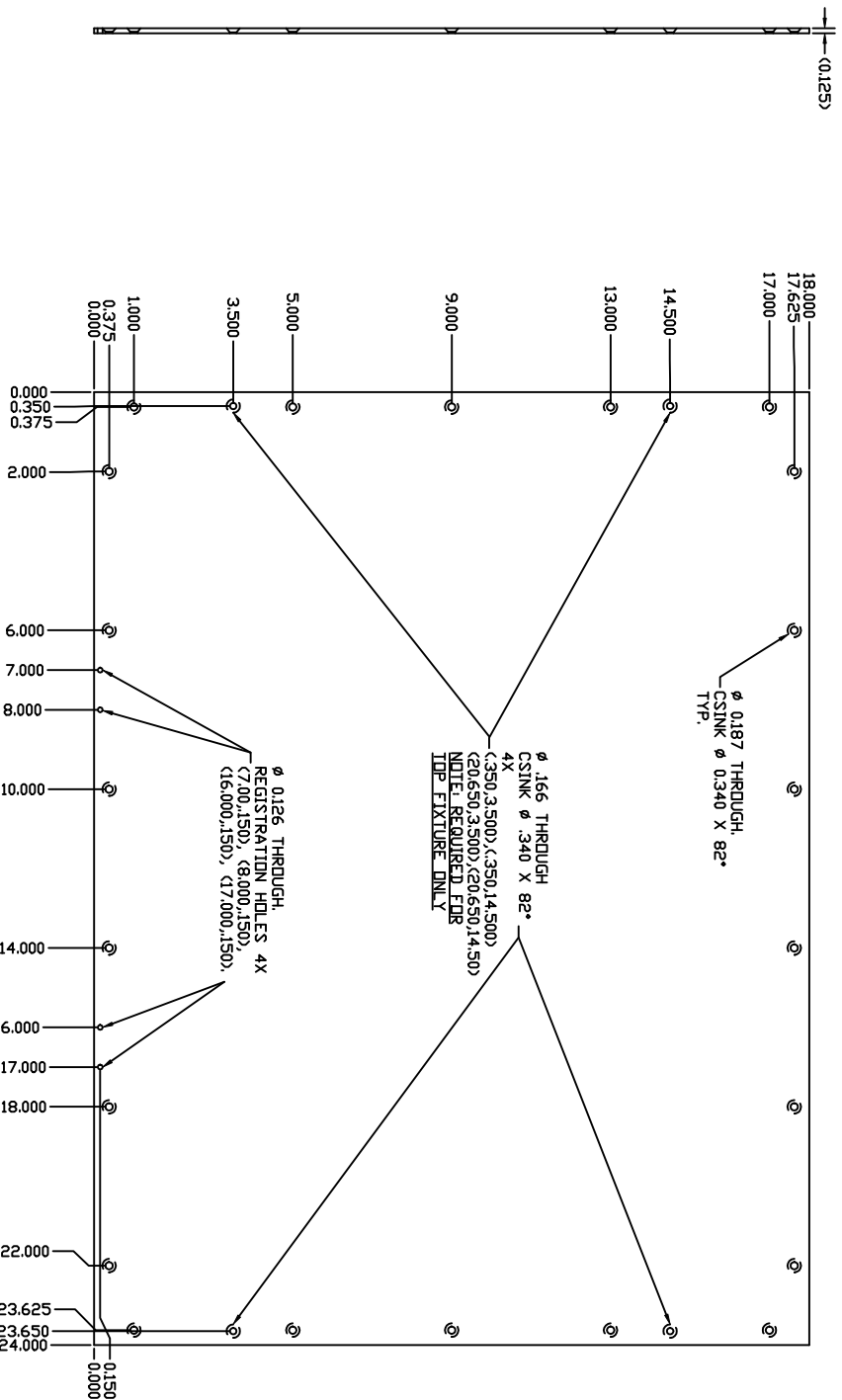
1. THE ORIENTATION OF SIDES "A" AND "B" ARE SHOWN IN VIEW B. ORIENTATION OF SIDES "C" AND "D" ARE SHOWN IN VIEW A.

NOTES:
(UNLESS SPECIFIED)

REV.	DESCRIPTION	DATE

UNLESS OTHERWISE SPECIFIED DIMENSIONS ARE IN INCHES TOLERANCES ARE: X=±.03 ANGLES=0° 30', XX=±.01 XXX=±.005		TITLE	SIGNATURE	DATE
FINISH:		DR.	MIKE CURTIS	5/30/02
MATERIAL:		CHK.		
		APP.		
TEST CONNECTIONS INC. UPLAND, CA				
TITLE: 4.0 EC 18X24 INNER PLATE S7				
SIZE	DWG NO.			REV
A	4.0 EC 18X24 IP S7			
SCALE	NONE	SHEET	4 OF 5	

REV.	DESCRIPTION	DATE



UNLESS OTHERWISE SPECIFIED DIMENSIONS ARE IN INCHES
 TOLERANCES ARE:
 X=±.03 ANGLES=0° 30"
 XX=±.01
 XXX=±.005

FINISH:

TITLE	SIGNATURE	DATE
DR.	MIKE CURTIS	5/30/02
CHK.		
APP.		

MATERIAL: LEXAN

TITLE: TEST CONNECTIONS INC.
 UPLAND, CA

4.0 EC 18X24 GRID PLATE S8

SIZE	DWG NO.	REV
A	4.0 EC 18X24 GRID S8	

SCALE NONE SHEET 5 OF 5

NOTES:
 (UNLESS SPECIFIED)